

Serie ESM 64

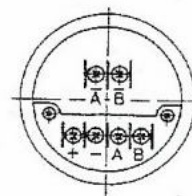
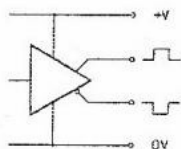
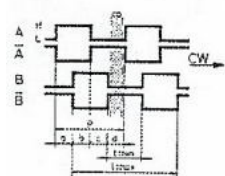


Impulse / Pulses (Feinrasterung / Precision click Point)	100
Kanäle / Channels	A / B
Speisespannung / Power supply	5V DC
Ausgangstreiber / Output driver	Line-Driver
Schutzart (montiert) / Protection (mounted)	IP50

Ausgangssignal / Output channels

Ausgangstreiber / Output driver

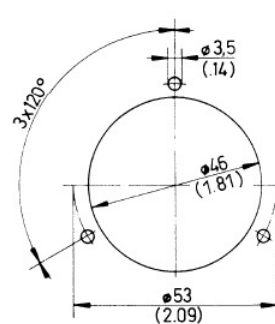
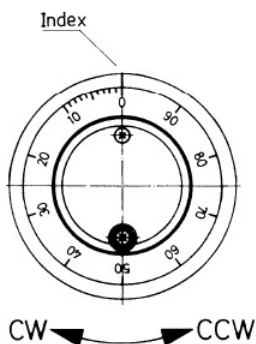
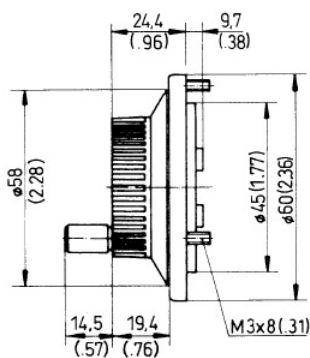
Anschlüsse / Connection



Massbild

Bohrplan / Cut out

³⁾ Auf Anfrage / On request



Serie ESM 64

Order key

ESM64 1 1 1 1 1

Number of channels:

1 = A / B / A' / B'

Pulses / Revolution:

1 = 100

Power supply:

1 = 5V DC

Output driver:

1 = Line-Driver

Connection (Terminal block):

1 = at rear side